

# COE Forum

Boston  
July 2003

THE *Open* GROUP

**Graham Bird**  
Vice President

Mobile +1 415 999 3106  
GSM +44 7771 863 9088

[g.bird@opengroup.org](mailto:g.bird@opengroup.org)

44 Montgomery Street  
Suite 960  
San Francisco, CA  
94104 USA

Tel +1 415 374 8280 ext. 200  
Fax +1 415 374 8293  
[www.opengroup.org](http://www.opengroup.org)

THE *Open* GROUP

# Agenda (Tuesday) Open Session

---

- ❑ 09:00 Introductions – Graham Bird
- ❑ 09:30 Global Information Grid Enterprise Services  
- Rob Walker, Program Manager, DISA
- ❑ 10:30 Coffee Break
- ❑ 11:00 Open Discussion – What can industry do to help  
make GIGES a reality, better cheaper, faster
- ❑ 12:30 Lunch
- ❑ 14:00 Enterprise Services: Filling out the picture  
Future Combat Systems –System of Systems COE  
- Paul Schoen, Boeing
- ❑ 15:00 Coffee Break
- ❑ 15:30 Making the transition, what works, what must be improved and how
- ❑ 17:00 Close

# Agenda (Wednesday)

---

- ❑ 09:00 COE Status Update
- ❑ 09:30 Forum and program evolution to support GES
- ❑ 10:00 Open Source - what's out there, what's going on, what's needed
- ❑ 10:30 Break
- ❑ 11:00 Education & Procurement programs - getting COE / GES take up in programs
- ❑ 11:30 Standardization of GOTS
  - Distributed Account Management
  - Installer technology
  - Security Services and Security Services Interoperability
  - Usability guidelines for general User Interface
  - Next Generation Print services & Print Service Interoperability.
- ❑ 12:30 Lunch
- ❑ 14:00 Future plans, action summary, AOB
- ❑ 14:30 Wrap up

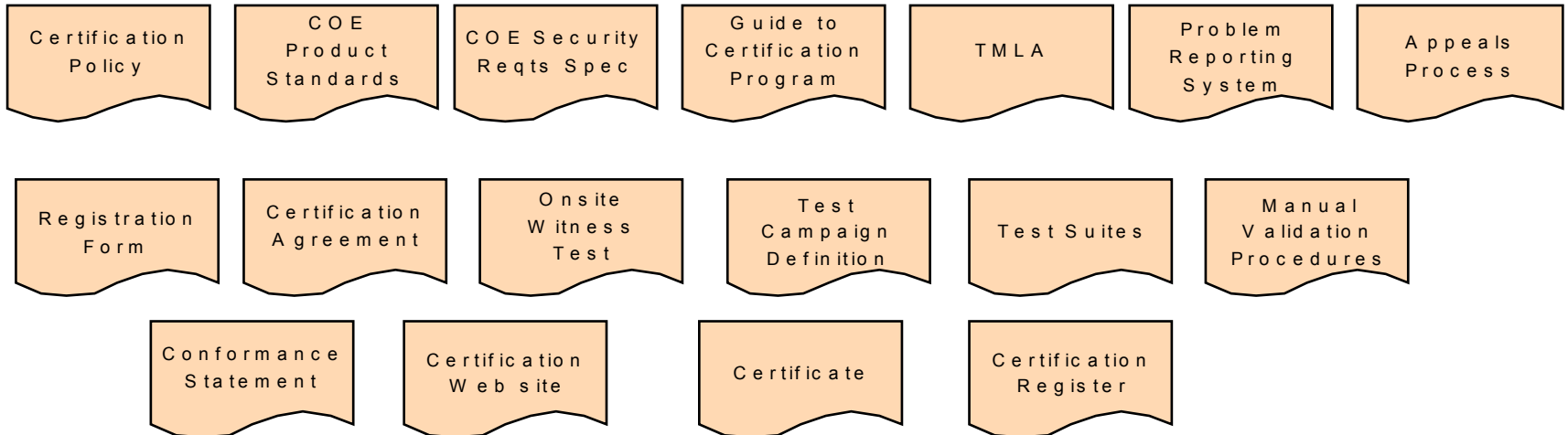
# Program Summary

---

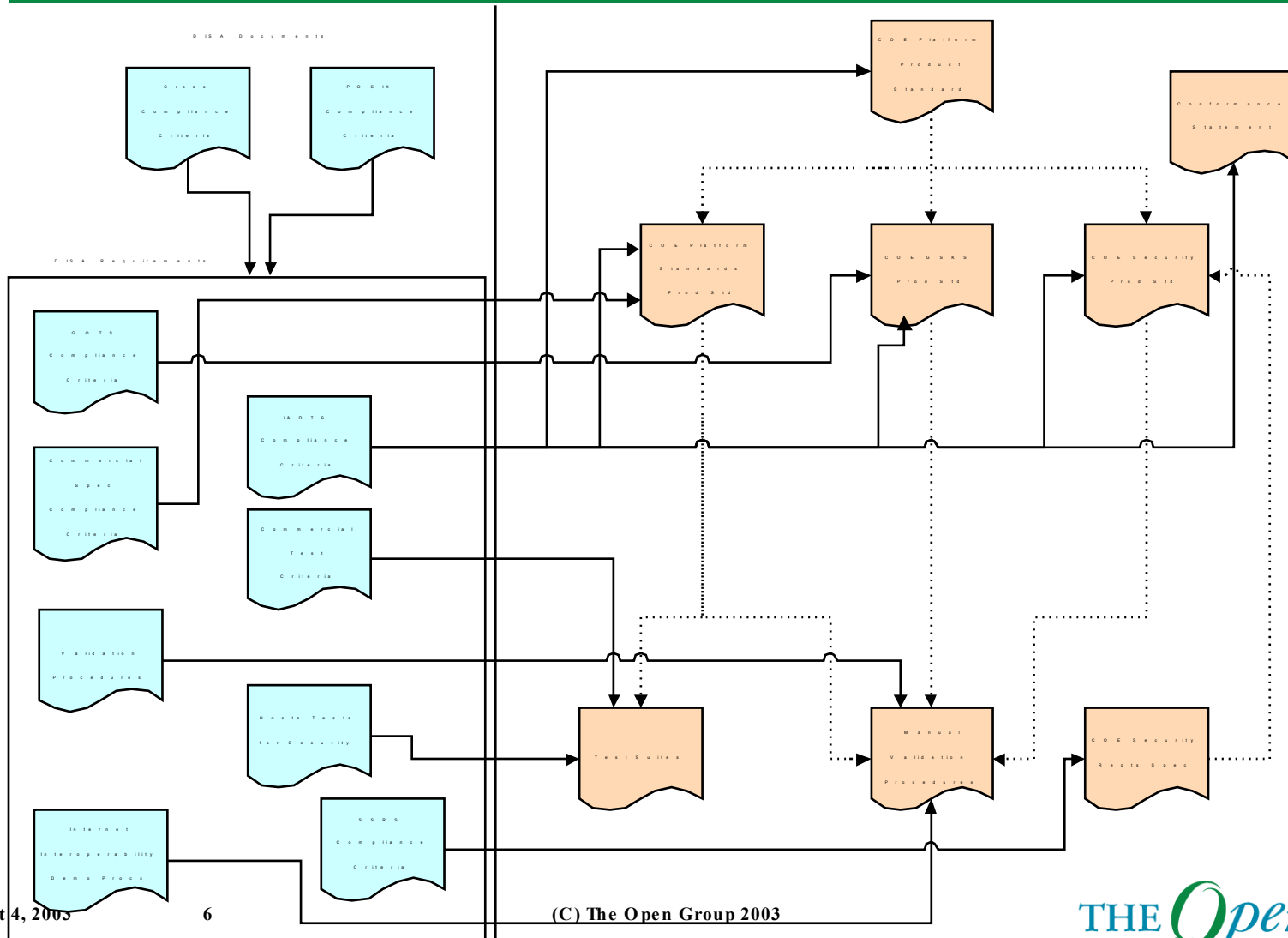
- Much more of the test campaign performed by the applicant
  - In house
  - Reduced waiting & testing time & cost
  - Fewer surprises
- Optional onsite witness test where required by procurements
  - At least same level of assurance as DISA program

# Program Elements

---



# Mapping (DISA to The Open Group)



# Vision / Mission

---

- Vision
  - To drive the evolution of the warfighter's platform:
    - to meet the needs of DOD / DISA programs
    - to meet the needs of participants
- Mission
  - Maintain and evolve COE certification
  - Nurture the GES program by:
    - Recommending industry best practices
    - Involving the GES program in industry directions
    - Providing a forum for integrators, contractors and application providers
- Goals
  - Build confidence in DISA by....
  - Broaden membership through....
  - Reduce cost of compliance and testing by...

# Work Items

---

- Work Items
  - Automated Security Test Script
  - Manual security test – ioc?
- Review
  - Automated COE kernel tests



# Actions

---

- ❑ Speak to SMcN re COE Open source and POSIX needs. GBB
- ❑ Name change, list and voting mechanism –August. GBB
- ❑ Distribute GES policy memo– EB
- ❑ Segmentation issues meeting – GBB/members
- ❑ Interface to DISA for sanity checking – EB
- ❑ Report back on NIAP issues – EB October
- ❑ Establish liaisons with e.g Standards Advisory, Architecture Advisory, Executive Advisory Groups EB/GBB.